

Network Camera Firmware

Version: V5.5.130

Release Note

(2020-9-2)

Firmware Basic Information	Firmware Version:	V5.5.130 build200820
	Encoding Version	V7.3 build 200706
	Web Version	V4.0.1.0 build 200608
	Plugin Version	3.0.7.33

Reason of Upgrade

Upgrade for supporting Wiegand function and other features.

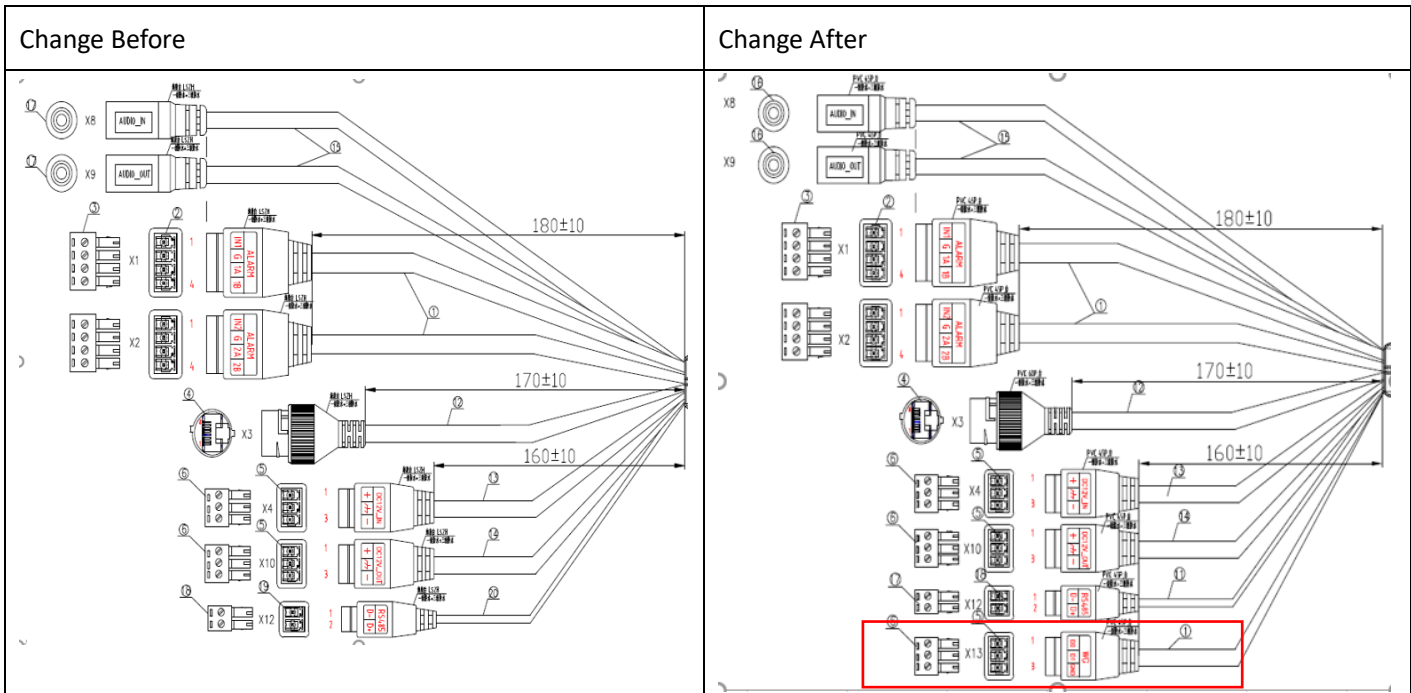
New features

1. Support Wiegand function now:

[WEB]Configuration: You can activate this function in [Configuration-System-System Settings-Wiegand]. Currently we support Protocols of Card ID 26bit, SHA-1 26bit, Hik 34bit.

The screenshot displays the Hikvision web interface for configuring the Wiegand function. The top navigation bar includes 'Live View', 'Playback', 'Picture', 'Application', 'Configuration', and 'Smart Display'. The left sidebar lists various system settings categories. The main content area is divided into 'Basic Information', 'Time Settings', 'DST', 'RS-232', 'RS-485', 'VCA Resource', 'metadata Settings', 'Wiegand', and 'About'. The 'Wiegand' section is active, showing a checked 'Enable' checkbox and a 'Protocol' dropdown menu with three options: 'Card ID 26bit', 'SHA-1 26bit', and 'Hik 34bit'. A red 'Save' button is located below the settings.

- 1) Wiegand function is only supported by the models of iDS-2CD7AXX/P-IZHY which were produced after the product switch ECR000034615.



- 2) You can configure the Wiegand information in the [Configuration]-[Road Traffic]-[Blocklist & Allowlist]

HIKVISION® Live View Playback Picture Application **Configuration** Smart Display

Detection Configuration Picture Camera Advanced **Blocklist & Allowlist**

Import Blocklist & Allowlist

Blocklist & Allowlist File

Status

Note: You can set at most 10,000 license plates in blocklist & allowlist in total.

Export Blocklist & Allowlist

Blocklist & Allowlist Content

No.	Plate No.	Type	Creation Time	Expiry Date	Wiegand CardID
1	ABCD1234	Allowlist	2017-04-20 19:26:44	2050-12-31	123123123
2	ABCD1234	Blocklist	2017-04-20 19:26:44	2050-12-31	123123123
3	ABCD1234	Blocklist	2017-04-20 19:26:44	2050-12-31	123123123

Total 3 Item(s) << < 1/1 > >>

	A	B	C	D	E	F
1	No.	Plate No.	Group(0 block list, 1 allow list)	Expiry Date (Format: YYYY-MM-DD, e.g., 2017-12-07)	Card No.	
2	1	ABCD1234	1	2050-12-31	123123123	
3	2	ABCD1234	0	2050-12-31	123123123	
4	3	ABCD1234	0	2050-12-31	123123123	
5						
6						
7						
8						
9						
10						

3) As the picture shows, you can import same Wiegand CardID and Plate No but it is not recommended to do this.

4) Also, **only pure numbers** can be input in the Wiegand card No.

2. Now the camera support both customized http protocol and baseline http protocol.

Navigation: Live View, Playback, Picture, Application, **Configuration**, Smart Display

Sub-navigation: SNMP, FTP, Email, Platform Access, HTTPS, QoS, 802.1x, Integration Protocol, Network Service, Smooth Streaming, **Alarm Server**, SRTP

HTTP Data Transmission						Default
Destination IP or Host Na...	URL	Protocol	Port	ANR	Test	
0.0.0.0	/	HTTP	80	<input type="checkbox"/> Enable	Test	
10.66.193.84	/protocol/alarm-service/v1/listen?u...	HTTP	80	<input checked="" type="checkbox"/> Enable	Test	
0.0.0.0	/	HTTP	80	<input checked="" type="checkbox"/> Enable	Test	

Save

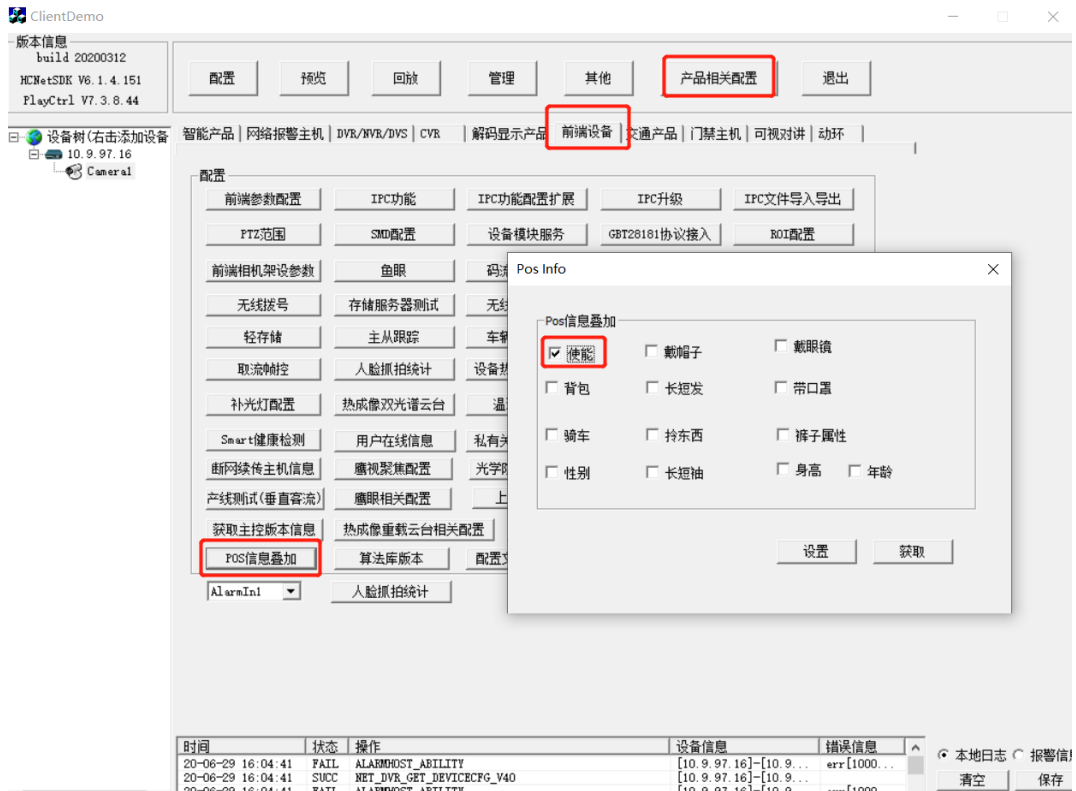
3. Now support display ANPR algorithm version number.

Navigation: Live View, Playback, Picture, Application, **Configuration**, Smart Display

Sub-navigation: Detection Configuration, Picture, Camera, **Advanced**, Blocklist & Allowlist

Version:

- Support one click to open POS information of ANPR through SDK (ONLY in Chinese version SDKdemo after HCNetSDKV6.1.4.15_build20200305).



- Now support display vehicle brand information.
- Word "white" and "black" in web interface and iVMS-4200 interface has been changed into "Allow" and "Block".

Customer Impact and Recommended Action

This update refers to function/compatibility improvement and will take effect automatically after the Date of Change. We are very sorry for any inconvenience of use-habit changes caused by this action.

For any questions and request for this firmware, please contact our local technical support team.

Remarks:

- Hikvision reserves the right to change, alter or withdraw the above notification without prior notice.
- Product design and specifications are subject to change without prior notice.
- The Hikvision firmware may contain errors known as errata which may cause the product to deviate from published specifications. Current characterized errata are available on request.
- Hikvision is not liable for any typing or printing errors.

Hikvision Digital Technology CO., Ltd.
No. 555 Qianmo Road, Binjiang District, Hangzhou 310051,
China
Tel: +86-571-8807-5998
FAX: +86-571-8993-5635
Email: overseabusiness@hikvision.com

Supported Product List (DeepinView Series)

Product SAP	Model Number	Product Description
311313387	iDS-2CD7026G0/EP-IHSY(11-40mm)(NEU)	DeepinView ANPR,2MP,IR
311313369	iDS-2CD7026G0/EP-IHSY(11-40mm)(STD)	DeepinView ANPR,2MP,IR
311312756	iDS-2CD7026G0/EP-IHSY(3.8-16mm)(STD)	DeepinView ANPR,2MP,IR
311313388	iDS-2CD7026G0/EP-IHSY(3.8-16mm)(NEU)	DeepinView ANPR,2MP,IR
311312752	iDS-2CD7026G0/P-AP(STD)	DeepinView ANPR,2MP,IR
311312754	iDS-2CD7026G0/P-AP(STD)(Without Package)	DeepinView ANPR,2MP,IR
311313365	iDS-2CD7026G0/P-AP(NEU)(Without Package)	DeepinView ANPR,2MP,IR
311313174	iDS-2CD7026G0/P-AP(NEU)	DeepinView ANPR,2MP,IR
311313370	iDS-2CD7046G0/EP-IHSY(11-40mm)(STD)	DeepinView ANPR,4MP,IR
311313397	iDS-2CD7046G0/EP-	DeepinView ANPR,4MP,IR

	IHSY(11-40mm)(NEU)	
311312757	iDS-2CD7046G0/EP-IHSY(3.8-16mm)(STD)	DeepinView ANPR,4MP,IR
311313398	iDS-2CD7046G0/EP-IHSY(3.8-16mm)(NEU)	DeepinView ANPR,4MP,IR
311312753	iDS-2CD7046G0/P-AP(STD)	DeepinView ANPR,4MP,IR
311312755	iDS-2CD7046G0/P-AP(STD)(Without Package)	DeepinView ANPR,4MP,IR
311313366	iDS-2CD7046G0/P-AP(NEU)(Without Package)	DeepinView ANPR,4MP,IR
311313175	iDS-2CD7046G0/P-AP(NEU)	DeepinView ANPR,4MP,IR
311312719	iDS-2CD7A26G0/P-IZHS(2.8-12mm)(STD)	DeepinView ANPR,2MP,IR
311313071	iDS-2CD7A26G0/P-IZHS(2.8-12mm)(NEU)	DeepinView ANPR,2MP,IR
311312720	iDS-2CD7A26G0/P-IZHS(8-32mm)(STD)	DeepinView ANPR,2MP,IR
311313072	iDS-2CD7A26G0/P-IZHS(8-32mm)(NEU)	DeepinView ANPR,2MP,IR
311312718	iDS-2CD7A26G0/P-IZHSY(2.8-12mm)(STD)	DeepinView ANPR,2MP,IR,Weigand
311313083	iDS-2CD7A26G0/P-IZHSY(2.8-12mm)(NEU)	DeepinView ANPR,2MP,IR,Weigand
311312725	iDS-2CD7A26G0/P-IZHSY(8-32mm)(STD)	DeepinView ANPR,2MP,IR,Weigand
311313084	iDS-2CD7A26G0/P-IZHSY(8-32mm)(NEU)	DeepinView ANPR,2MP,IR,Weigand
311312723	iDS-2CD7A46G0/P-IZHS(2.8-12mm)(STD)	DeepinView ANPR,4MP,IR
311313075	iDS-2CD7A46G0/P-IZHS(2.8-12mm)(NEU)	DeepinView ANPR,4MP,IR
311312724	iDS-2CD7A46G0/P-IZHS(8-32mm)(STD)	DeepinView ANPR,4MP,IR
311313076	iDS-2CD7A46G0/P-IZHS(8-32mm)(NEU)	DeepinView ANPR,4MP,IR
311312721	iDS-2CD7A46G0/P-IZHSY(2.8-12mm)(STD)	DeepinView ANPR,4MP,IR,Weigand
311313088	iDS-2CD7A46G0/P-	DeepinView ANPR,4MP,IR,Weigand

	IZHSY(2.8-12mm)(NEU)	
311312722	iDS-2CD7A46G0/P-IZHSY(8-32mm)(STD)	DeepinView ANPR,4MP,IR,Weigand
311313089	iDS-2CD7A46G0/P-IZHSY(8-32mm)(NEU)	DeepinView ANPR,4MP,IR,Weigand