

<b>Title:</b>	How to Connect a Doorbell Button to Indoor Station Input	<b>Version:</b>	v1.0	<b>Date:</b>	8/21/2018
<b>Product:</b>	Indoor Station, Doorbell			<b>Page:</b>	1 of 4

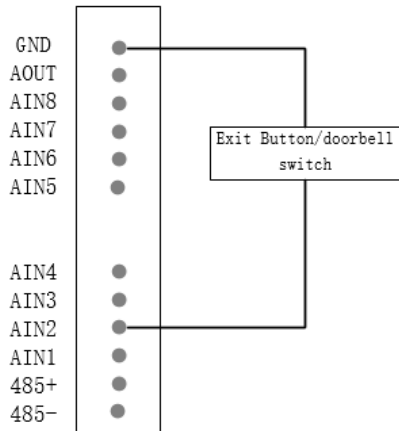
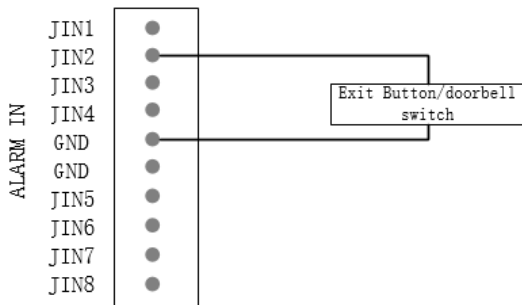
## Preparation

---

Please upgrade the firmware of indoor station to V1.5 in advance.

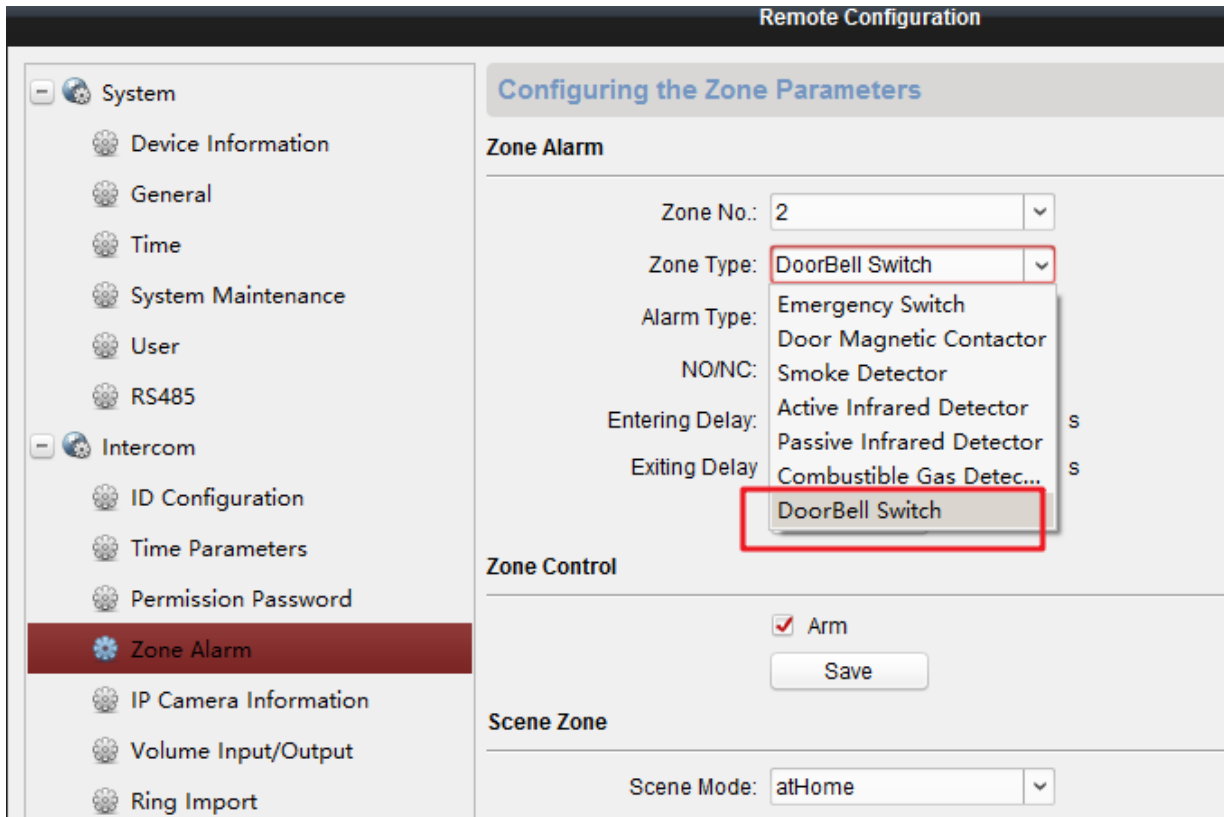
### How to Connect a Doorbell Button to Indoor Station Input

1. Connect indoor station JIN/AIN and GND port to a push button; Alarm input port 2-7.



2. Open device remote configuration, go to menu → Intercom → Zone Alarm on iVMS-4200.

<b>Title:</b>	How to Connect a Doorbell Button to Indoor Station Input	<b>Version:</b>	v1.0	<b>Date:</b>	8/21/2018
<b>Product:</b>	Indoor Station, Doorbell			<b>Page:</b>	2 of 4



You could also set doorbell on device local interface, go to setting→Zone Setting, and select doorbell as the following steps.

Purpose:

You can set the zone type, alarm type and delay time and other parameters of 8 zones.

Steps:

- 1) Get the zone settings interface: Settings -> Zone Settings.

<b>Title:</b>	How to Connect a Doorbell Button to Indoor Station Input	<b>Version:</b>	v1.0	<b>Date:</b>	8/21/2018
<b>Product:</b>	Indoor Station, Doorbell			<b>Page:</b>	3 of 4

## Zone Settings



Zone No.	Zone Type	NO/NC	Alarm Type	Delay Time
Zone 1	Smoke Detector	NO	24h Alarm	0s/0s
Zone 2	Gas Detector	NO	24h Alarm	0s/0s
Zone 3	Active Infrared	NO	Delay Alarm	30s/30s
Zone 4	Active Infrared	NO	Delay Alarm	30s/30s
Zone 5	Active Infrared	NO	Delay Alarm	30s/30s
Zone 6	Active Infrared	NO	Delay Alarm	30s/30s
Zone 7	Active Infrared	NO	Delay Alarm	30s/30s
Zone 8	Active Infrared	NO	Delay Alarm	30s/30s

- Password
- Sound
- No Disturbing
- Arming Mode
- Zone Settings <
- Maintenance
- Configuration
- Information

2) Press a zone to pop up the zone editing dialogue box.

### Edit Zone

Zone Type  >

Alarm Type  >

NO/NC  >

Enter Delay  +

Exit Delay  +

3) Set the zone type, alarm type, status of arming status, entering delay, and exiting delay.

4) Press the tab to save the settings.



<b>Title:</b>	How to Connect a Doorbell Button to Indoor Station Input	<b>Version:</b>	v1.0	<b>Date:</b>	8/21/2018
<b>Product:</b>	Indoor Station, Doorbell			<b>Page:</b>	4 of 4

**First Choice for Security Professionals**  
***HIKVISION* Technical Support**